



# HOUSING RESOURCES

## FINISHING PIGS

**GENUGTEN AGRI PROJECTS B.V. SPECIALIZES IN THE CONSTRUCTION AND RESOURCES OF MODERN PIG FARMS.**

Competitive pricing, simplicity, functionality and durability are the most important factors with respect to the construction and equipment of pig housing. Due to many years of experience with the development and production of pens and related equipment, and the application of these systems on our own pig farms, we can supply you with tested materials that are suited for years of problem-free production.





## 1. PENNING FOR FINISHERS AND GILTS

- PVC penning with stainless steel supports
- Concrete penning

## 2. WET FEEDING TROUGHS

## 3. WATER SUPPLY FOR FINISHERS AND GILTS

## 4. TOYS

## 5. CAST STEEL TOILET SLATS

## 6. FEEDING SYSTEMS

- Wet feeders
- Materials for liquid feeding systems
- Materials for dry feed systems and silo's

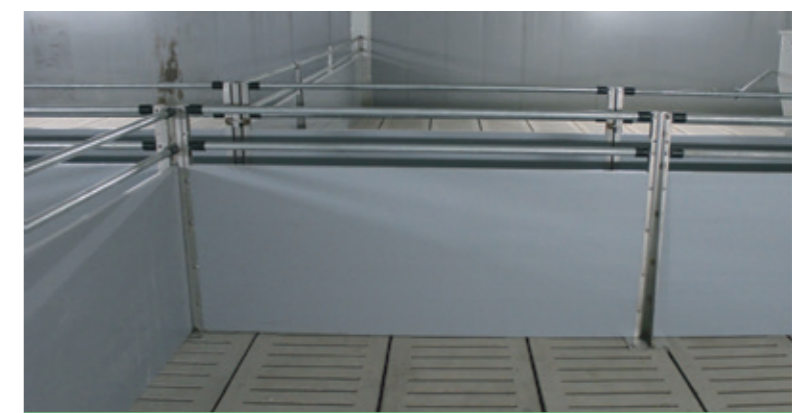
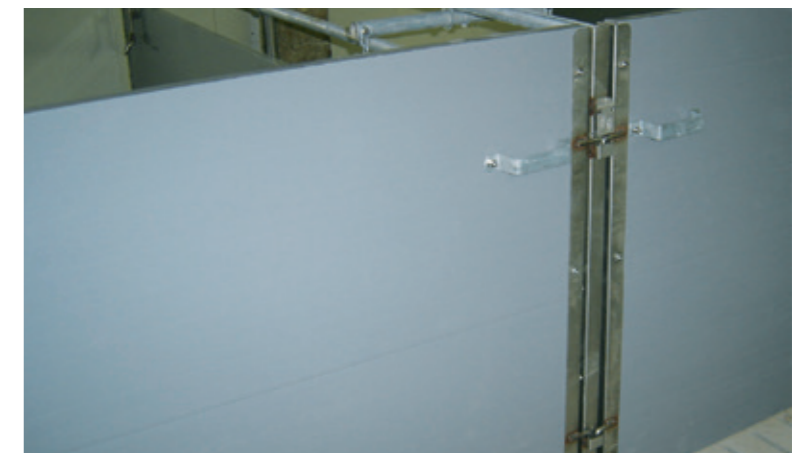
Many of our materials are developed in-house by us and are manufactured by expert companies in the Netherlands and abroad. For example, we import 70 to 80 percent of all our plastic materials from Germany. Our cast steel slats and galvanised products are produced by specialised companies in China in accordance with our specifications. We obtain our other products directly from reputable manufacturers, thus providing you with assurance that the necessary product standard is guaranteed.

## 1. PENNING FOR FINISHERS AND GILTS

### PVC PENNING WITH STAINLESS STEEL SUPPORTS

These penning can be supplied in various versions. The PVC version is favourably priced and you can easily install it yourself. Furthermore, the PVC boarding is smooth as a result of which it can be cleaned faster and better. The PVC boards are fixed to solid stainless steel profiles. All fixings are made of stainless steel, which guarantees an extended lifespan.

For an easy and fast enter into the pens we recommend that the penning should not be higher than 90 cm. Inspection of the pigs is facilitated by making the pen partitions 90 cm high as well. For individuals who consider 90 cm too low, we also supply penning that is 100 cm high. The plastic penning are made of impact-resistant PVC boards that are 35 mm thick. The boards are very smooth and are closed at the top and bottom, which makes them easy to clean. Covers can be mounted on all boards so that the boards are completely sealed on all sides, preventing vermin and dirt from entering the boards. The plastic boards are fixed to sturdy stainless steel profiles that are available in two thicknesses: 1.5 and 2.0 mm. The 2 mm profiles are especially recommended for larger pens.



# PEN PARTITIONS

## TYPE SVVK100-100

**PVC penning: wall height 100 cm**

### PVC boards

Material: Impact resistant PVC, 35 mm

Board/wall height:	Pen partitions:	100 cm
	Trough walls:	75 cm

### 1" galvanised tubes:

Pen partitions:	geen
Trough walls:	1 pipe

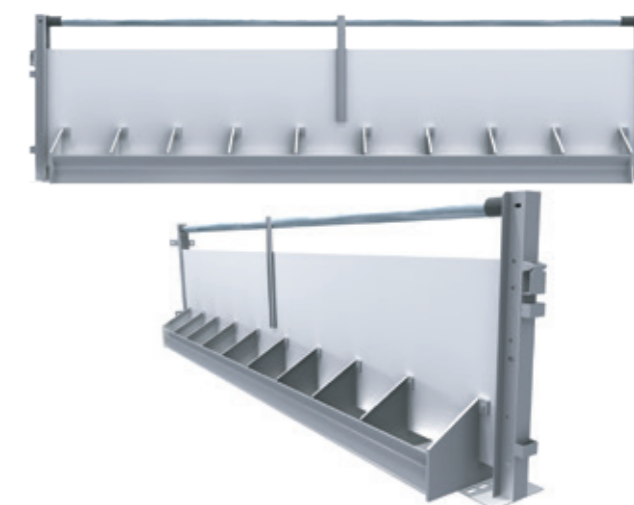
**Stainless steel profiles:** steel thickness: 1.5 of 2.0 mm



## PEN PARTITIONS AND PVC DOORS



## PVC PARTITIONS FOR STAINLESS STEEL WET FEEDING TROUGHS



## TYPE SVVK100-75

**PVC penning: wall height 100 cm**

### PVC Boards

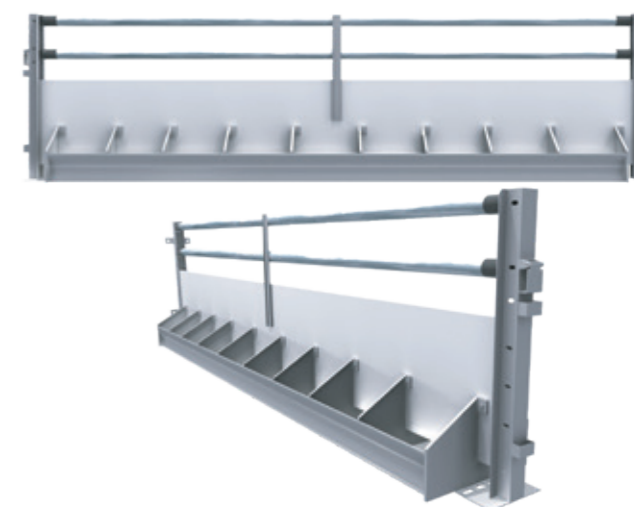
Material: Impact resistant PVC, 35 mm

Board/wall height:	Pen partitions:	75 cm
	Trough walls:	60 cm

### 1" galvanised tubes:

Pen partitions:	2 pipes
Trough walls:	2 pipes

**Stainless steel profiles:** steel thickness: 1.5 or 2.0 mm



## TYPE SVVK90-75

**PVC penning: wall height 90 cm**

### PVC Boards

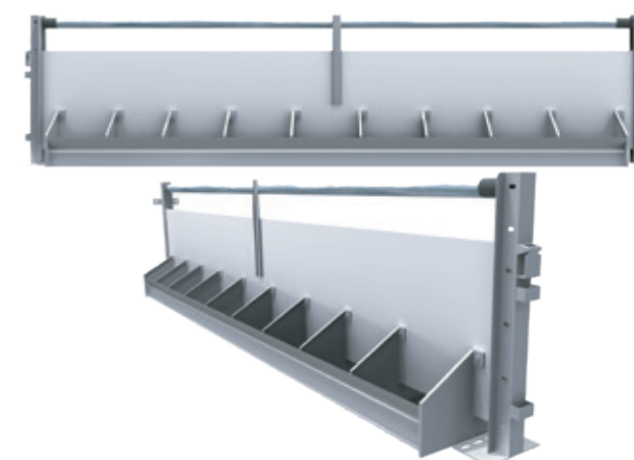
Material: Impact resistant PVC, 35 mm

Board/wall height:	Pen partitions:	75 cm
	Trough walls:	60 cm

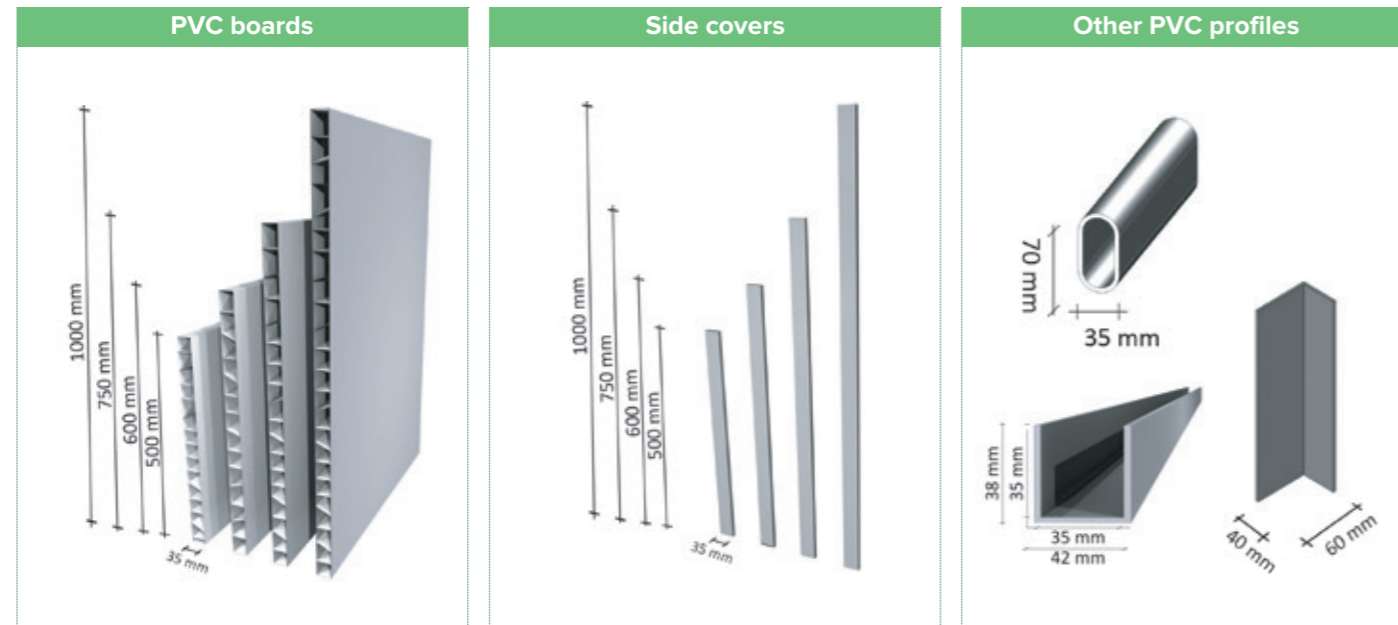
### 1" galvanised tubes:

Pen partitions:	1 pipe
Trough walls:	1 pipe

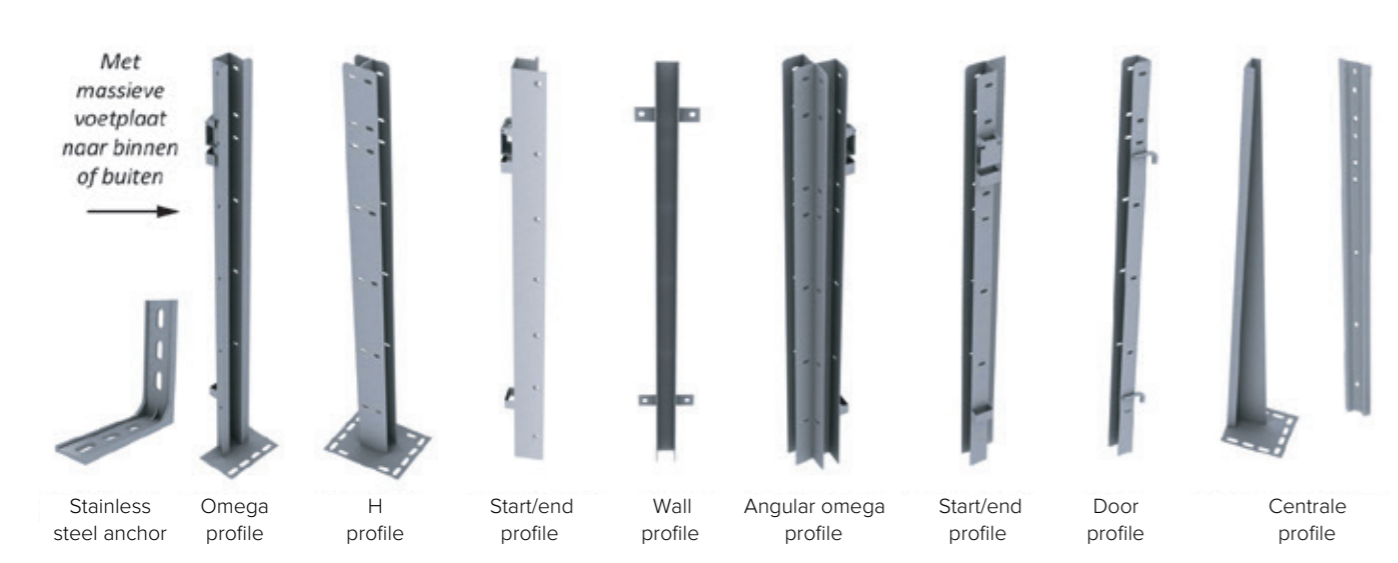
**Stainless steel profiles:** steel thickness: 1.5 or 2.0 mm



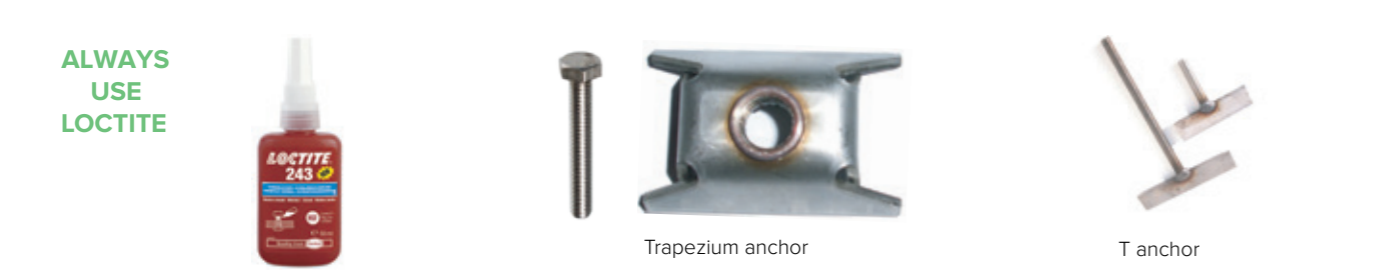
## THE PENNING IS ASSEMBLED FROM THE FOLLOWING COMPONENTS:



Stainless steel profiles available in thickness of 1.5 or 2.0 mm. Height 90 or 100 cm.



Stainless steel slat anchors



No spillage of feed with the use of the extremely stable HPL trough flaps.

Doors in the penning partition facilitates larger groups

## CONCRETE PENNING

Concrete penning is highly robust, which guarantees a very long lifespan. The partitions are 100 cm high and are half open. Walls with a height of 85 cm are supplied for above the liquid feeding troughs. These walls are half open as well. The corridor walls are solid and are 100 cm high. The pen doors have a width of approx 90 cm and the concrete walls are connected to each other using concrete tresholds. These concrete tresholds prevent manure from running under the doors into the corridor and also create a stable front wall. The pen doors are custom made from high-quality plastic HPS plates with precise measurements. The galvanised gate fittings are entirely mounted at the side of the corridor as a result of which these materials do not come into contact with the animals.

### HALF OPEN PARTITIONS WITHOUT TROUGH

SVVB100-O

It is recommended that the partitions in the back of the pens be equipped with an elongated opening. This means that less manure will pile up in the corners and makes it easier to clean the pens.



### HALF OPEN PARTITIONS WITH TROUGH

SVVB100T-O

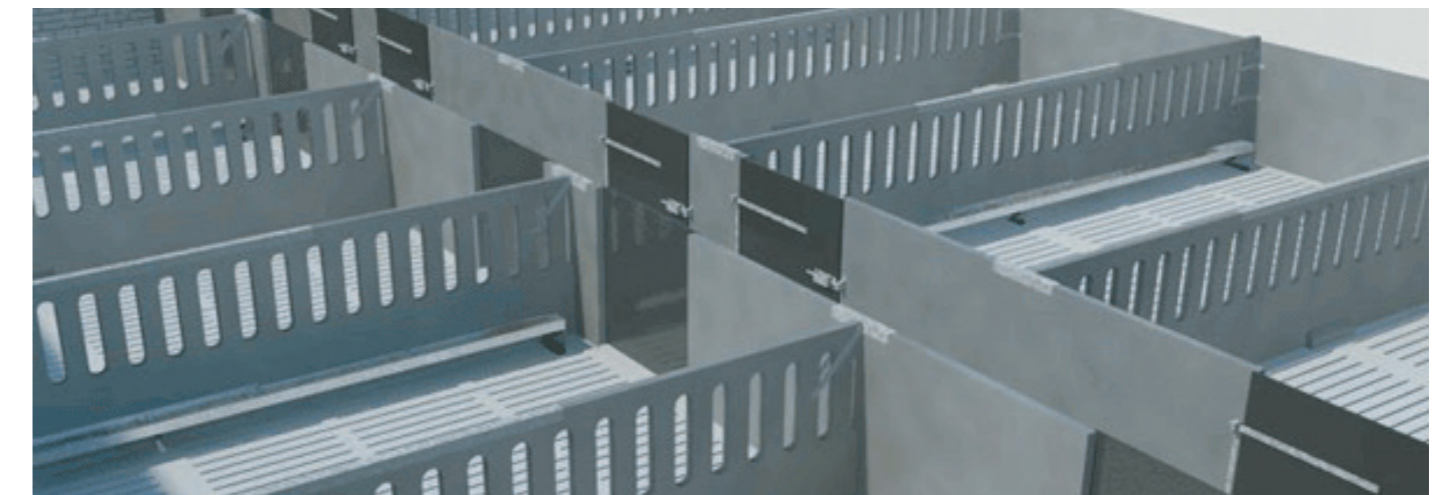


### SOLID FRONT WALL

SVVB100-D



### 13 MM SOLID HPL DOORS

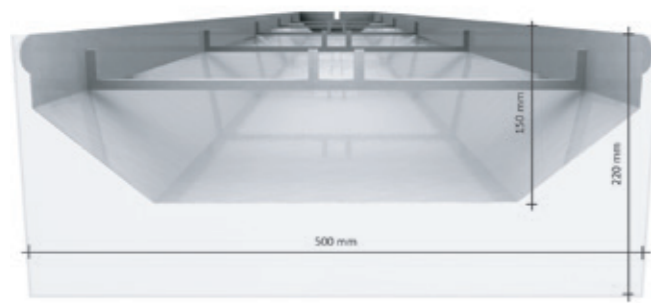


## 2. WET FEEDING TROUGHS

Our liquid feeding troughs are made from durable stainless steel. The troughs can be supplied in different versions for finishers and gilts. For example, a round bent trough or a trough with a flat bottom is available. Troughs with bars or stainless steel partitions are also available. The use of stainless steel troughs with partitions sharply reduces the spillage of feed. Research at our own pig farms shows that this can save up to 5% in feed costs and at the same time sharply reduce trough contamination. We recommend that there always is at least a 15 cm clearance between long troughs and the front and back wall in order to reduce contamination. If you opt for a short trough with sensor feeding, we always recommend that you maintain at least one feeding spot for every 4 pigs. A trough with partitions is preferred in that case as well.

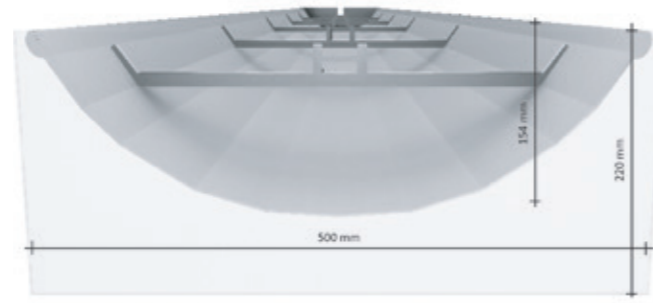
### TRA2-50-20-1,5, 50 LITRES/M

Flat bent trough for finishers

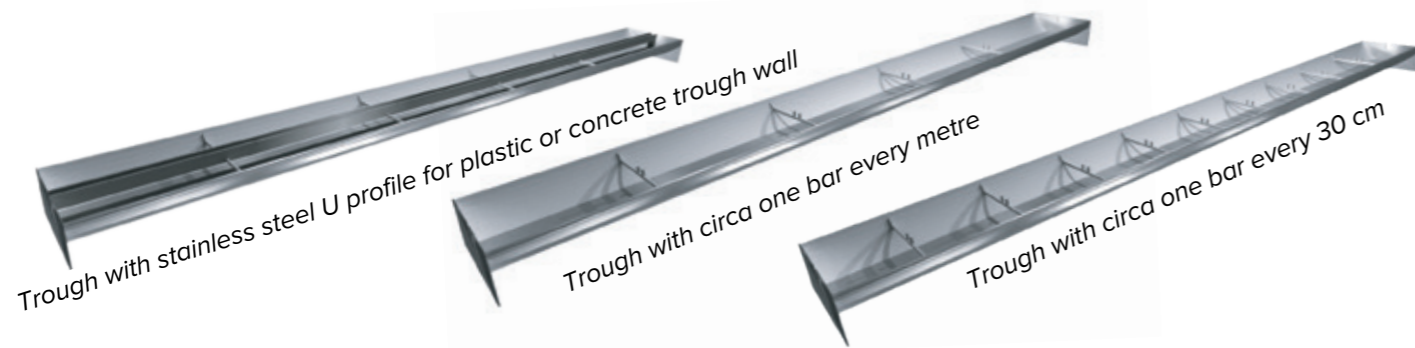


### TRA2VV1,5-500R, 50 LITRES/M

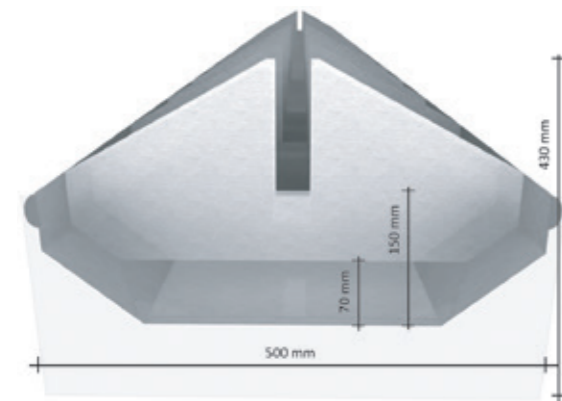
Round bent trough for finishers



### DIFFERENT VERSIONS OF THE ABOVE REFERENCED TROUGHS



### TRA2-50-1,5-FS, 50 LITRE/M FEEDSAVE



UP TO 5% LESS FEED NEEDED  
DUE TO THE REDUCTION IN  
SPILLAGE

## 3. WATER SUPPLY FOR FINISHERS AND GILTS

If the pigs are not fed using liquid troughs or a comparable system, then sufficient nipples must be mounted in the pens. The nipples are always fastened to the wall using stainless steel pipes. In the event of liquid troughs, the nipples are preferably attached above the troughs because this reduces the amount of spilled water. Furthermore, the preference is to mount the nipples at the back of the pens on the partitions so that two pens can be served by a single supply line. In the event of larger pens, it is possible to equip the line for each pen with two nipples.

If the option is to install multiple nipples or drinking bowls against the back wall, it is best to position these at different heights so that they are also within easy reach for smaller pigs and so that larger pigs spill less water. Due to the lower spillage of water, stainless steel drinking bowls are preferred.

### DOUBLE NIPPLE SUPPORT FOR TWO PENS



### DOUBLE NIPPLE SUPPORT FOR TWO PENS WITH TWO NIPPLES PER PEN



### VARIOUS NIPPLE SUPPORTS AT DIFFERENT HEIGHTS

### DIFFERENT VERSIONS OF STAINLESS STEEL DRINKING BOWLS



### PRESSURE REGULATORS, BALL VALVES, PVC PIPES AND ALL FASTENERS



## 4. TOYS

In accordance with European regulations, all pigs must always have access to ductile toys. We supply various versions for finishers that are easy to attach to the pens partitions and that meet legal requirements. It is best to install the toys at the back of the pen in the corner near the trough. Because pigs are more often occupied there, the manure near the trough is sharply reduced.



CHAIN WITH PLASTIC BALL

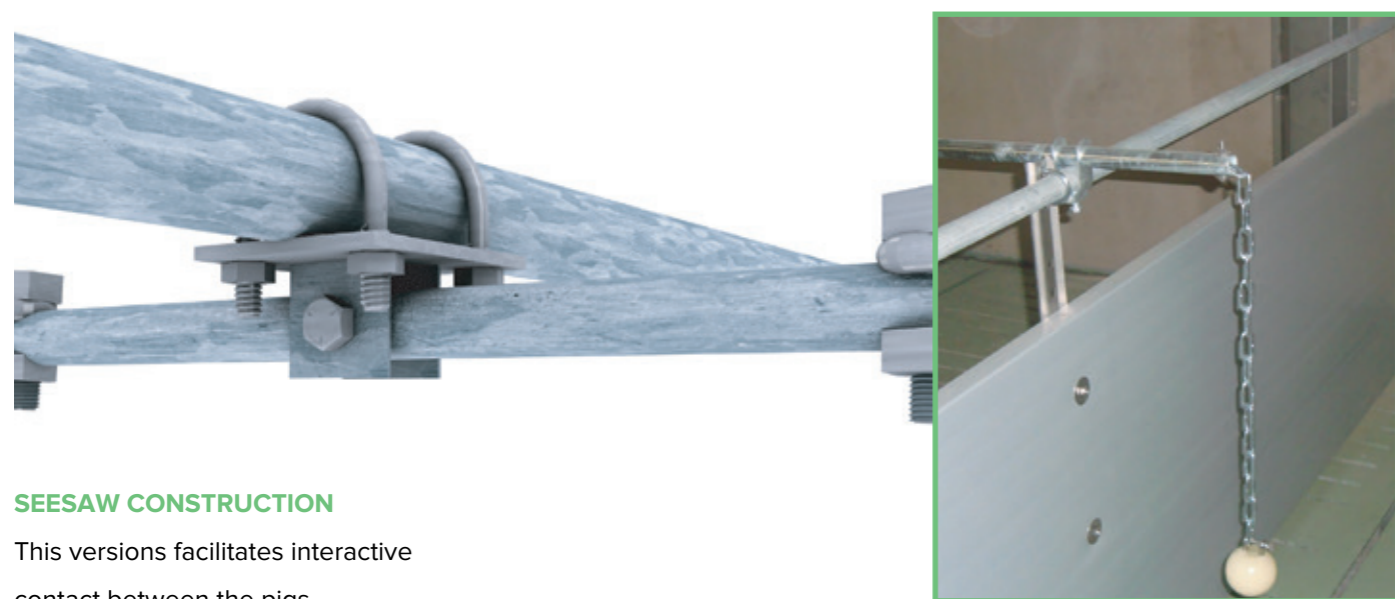


This plastic ball attached to a chain can be permanently attached to the wall or for two pens to the partition. The ball is also available with a stainless steel shackle.

CHAIN WITH PE HOSE



The chains with a PE hose can be permanently attached to the wall or for two pens to the partition.



### SEESAW CONSTRUCTION

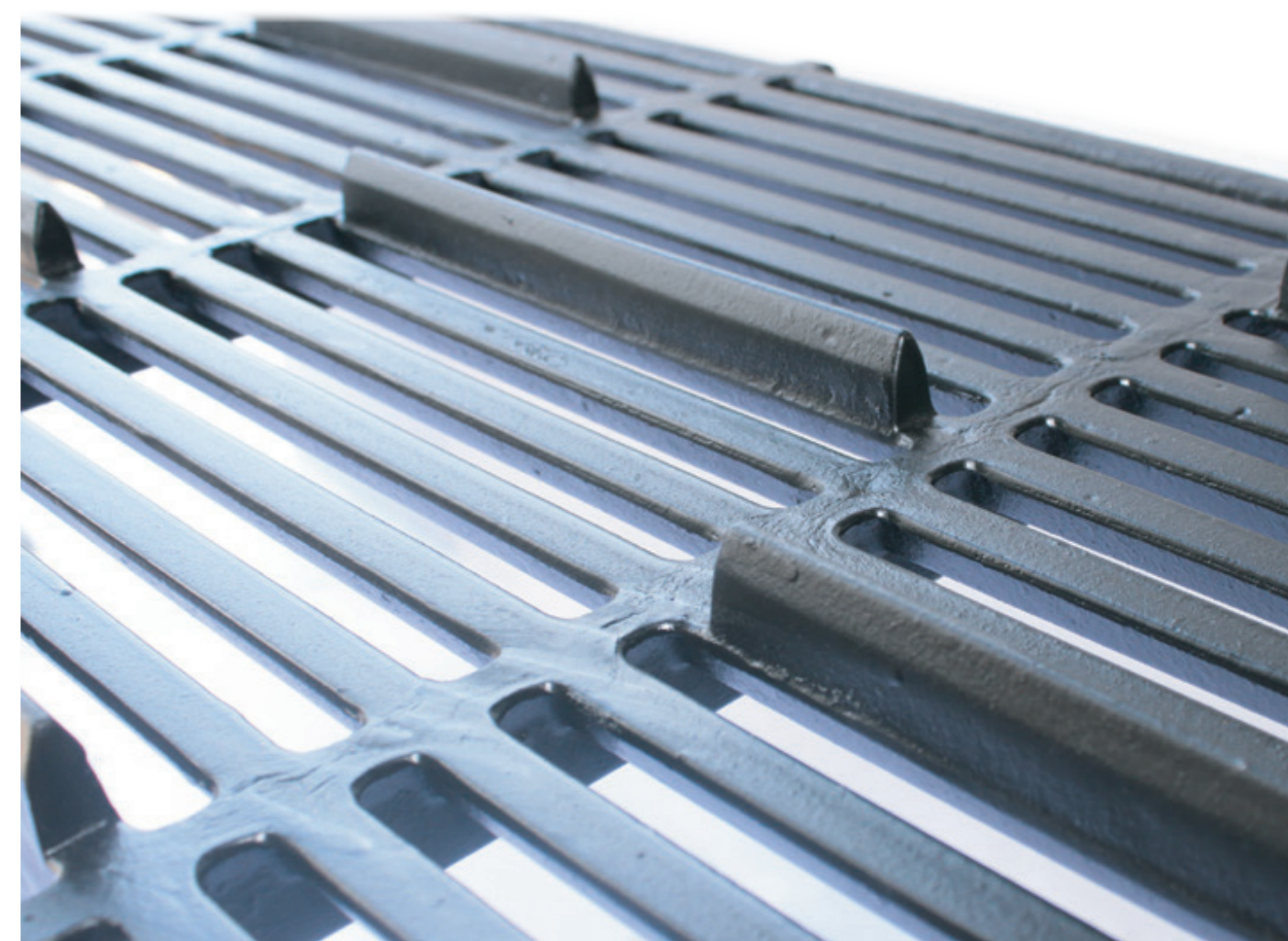
This version facilitates interactive contact between the pigs.

## 5. CAST STEEL TOILET SLATS

Genugten Agri Projects B.V. has developed a new type of slat that serves as a pen toilet for the pigs in each pen. These cast steel slats are equipped with cams that encourage the pigs to avoid laying on them and to use these toilet slats as an area for manure. By installing these cast steel slats in the corners of each pen, the pens and the pigs stay far cleaner. This lowers emissions, reduces cleaning costs and it has a positive impact on growth and feed conversion.

The cast steel toilet slats can also be used to replace old triangular grates that were often used in the past in the construction of lower-emission finisher pens. Steel triangular slats have a limited lifespan of approx 10 years. Toilet-slats provide qualitatively better slats with the added benefit that they sharply reduce the contamination of the pen.

Cast steel slats are casted in a mould and have a fixed 40 cm width. The slats are available in lengths ranging from 100 cm to 200 cm in 10 cm steps. The cams on top of the slats are 20 mm high. The cams are well rounded so that heavy pigs can easily lie on them and so that the pigs do not incur any injury. A new mould can be prepared for sizeable orders.



## 6. FEEDING SYSTEMS

### 6.1. WET FEEDERS

Genugten Agri Projects B.V. supplies a comprehensive package of dry and wet feeders. The following is an overview of the most popular feeders.



### 6.2. MATERIALS FOR WET FEEDING SYSTEMS

Genugten Agri Projects B.V. offers you an comprehensive package of components that are suitable for almost all liquid feeding systems and which can be used to expand your liquid feeding system or to replace a part of your existing system. In addition, we supply pipes and valves for the storage of by-products.



PVC piping and accessories



Ball valves and butterfly valves



Pneumatic valves

### 6.3. MATERIALS FOR DRY FEED SYSTEMS AND SILOS

We also supply different systems for expanding or replacing dry feeding systems.



Complete dry feed systems with a chain in a 60 mm pipe



Conveyor spirals and augers



Feed silos





# GENUGTEN AGRI

PROFESSIONALS IN ANIMAL HOUSING

**GENUGTEN AGRI PROJECTS BV** Jane Addamsstraat 4 • 5491 DE,  
Sint-Oedenrode • The Netherlands **T** +31 (0) 413 483 100

[WWW.GENUGTEN-AGRI.COM](http://WWW.GENUGTEN-AGRI.COM)